

# Point-to-Multi Point Base Station Surveillance PTMP Made Easy Incredible performance



WIS-S900AC is a 900Mbps 2\*2MIMO Hi-Power outdoor wireless Base Station based on 802.11a/n/ac technology. Featuring the revolutionary TDMA Intelligent Dynamic Polling Protocol technology, WIS-S900AC is fully compatible with WIS base station and bridge thus greatly improving the networks capability in throughput and latency. WIS-S900AC is best applied to rural wireless Internet Base Station and other industrial wireless surveillance solutions.

WIS new WIS-S900AC 500+ Mbps throughput - a result of powerful hardware platform with 802.11ac technology based radio. Incorporating a QCA 9563 CPU (750 MHz), a QCA 9886 radio and 128 MBytes of RAM and 16MBytes of flash memory the, WIS-S900AC series devices are an ideal solution for capacity demanding applications.

State of the art RF design with great output power and sensitivity parameters improve range and capacity over highest the modulation - 256 QAM. The 24V Gigabit Ethernet port (passive PoE) allows utilizing the full capacity of the radio when used in a Base Station or point-to-multi-point network design.

## Features

- Incredible Long Range
- Upto 26dBm Tx Power
- External antenna
- Wireless Speed 500+Bandwidth
- Superior Performance TDMA3
- IP65 Waterproof
- Upto 30km\*



WIS-S900AC is a high-performance, high-speed outdoor long-distance wireless Base Station with characteristics such as long transmission distance, strong penetration ability, and strong anti-interference ability. just called as zero interference Product.



## Full Feature & Performance

- Full Wis OS Support
- Auto-Distance Adjust
- Upto 30km\*
- Fully Managed by WIS Software

## Wireless Solutions for Surveillance

- Cost-effective passive PoE
- IP65 Waterproof
- Multiple mounting methods
- Extremely Amazing Performance

### Point to Multi Point solution



External  
2X2 MIMO Antenna



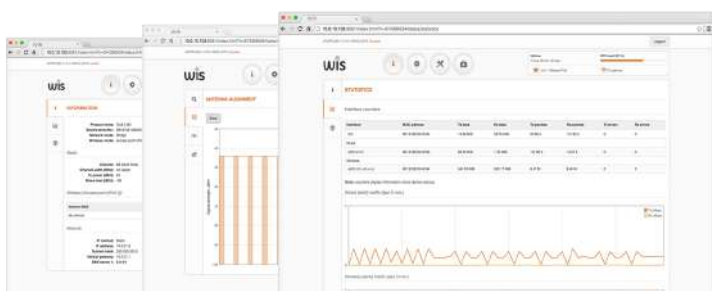
8kV ESD & 4kV  
Lightning Protection



Antenna  
Calibration



WIS Device  
Management



## Powerfull OS

The Wis OS is a highly functional and easy to use operating system embedded in all Wis hardware devices for effortless setup and trouble free operation. High performance (500 Mbps) allows offering more bandwidth together with additional services such as VoIP and IPTV. This is possible when using Wis's smart QoS mechanism and multicast traffic enhancements for triple play services. Such services are essential for all next generation service providers to complement their existing portfolios. WIS's proprietary transmission protocol, ensures smooth performance with a high number of clients even in noisy environments.



## Specifications

Distance Recommendation	PTP Mode
WIS-S900AC + Disc Antenna	30km/ 18.6mi

Model	WIS-S900AC
CPU	QCA9563+QCA9886+QCA8334
Flash	SPI NOR 16MB
DDR	DDR2-128MB
5G Frequenc	5.150GHz~5.850GHz
5G Protocol	802.11 a / n /ac wave2
Data Rate	900Mbps
Antenna	2*SMA antenna connectors

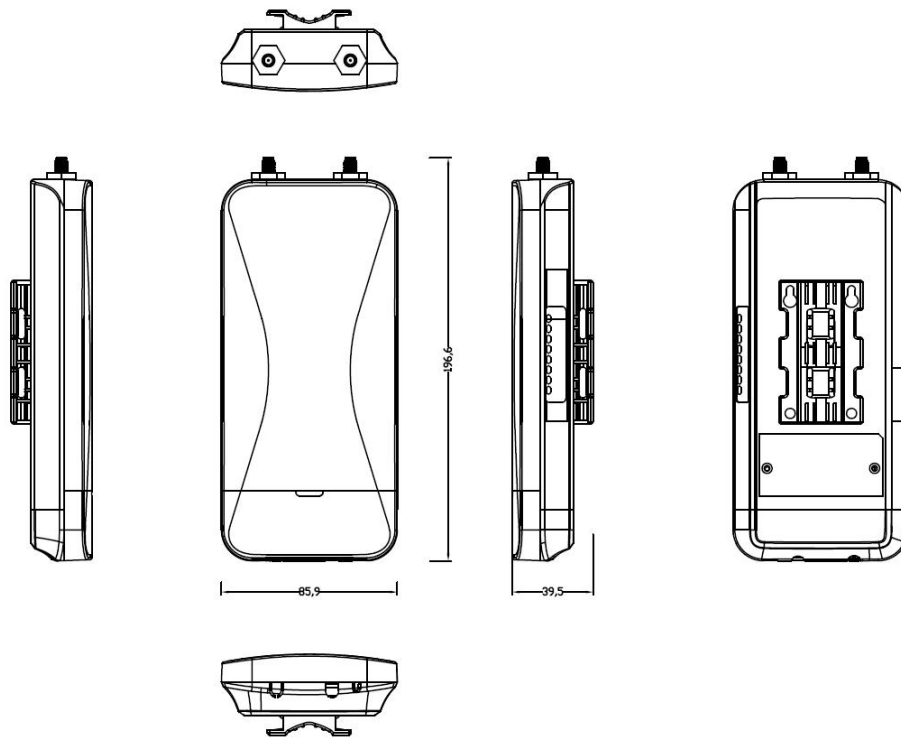
5G TX Power	802.11a	54M	21±2dBm	6M	24±2dBm
	802.11n HT20	MCS7	20±2dBm	MCS0	23±2dBm
	802.11n HT40	MCS7	19±2dBm	MCS0	22±2dBm
	802.11AC	MCS9	18±2dBm	MCS0	21±2dBm
5G Receiving Sensitivity	802.11a	54M	-72dBm	6M	-92dBm
	802.11n HT20	MCS7	-70dBm	MCS0	-89dBm
	802.11n HT40	MCS7	-68dBm	MCS0	-87dBm
	802.11AC	MCS9	-58dBm	MCS0	-85dBm

5G EVM	802.11a_54M: ≤-25 dB; 802.11n_MCS7: ≤-28 dB; 802.11AC_MCS9: ≤-32dB
ppm	±20ppm, 80.000PPS
WAN	1↑10/100/1000M WAN, support 24-48V POE power supply
LAN	1↑10/100/1000M LAN
Power supply	PoE 24V~48V, DC 12~48V
Power consumption	< 15W
RST button	Press the key for 2 to 5 seconds to automatically pair, and press and hold for 10 seconds to restore the factory default configuration
Switch button	One key switch between Master and Slave CPE
Indicators	SYS, WAN, LAN, 5G WIFI, signal*4
Dimension	196mm*86mm*40mm
Weight	0.4kg
Temperature	Working: -30°C to 55°C; Storage: -40°C to 70°C; Humidity: 5%~95% (Non-Condensing)
IP Grade	IP65
ESD	Air: ±8K, Touch: ±4K
Electrical Surge	Common Mode: 4K, Differential Mode: 2K



## Software

Wireless operating mode	Access point (auto WDS), access point (TDMA3 ), station (WDS, TDMA3 ), station (ARP NAT)
Wireless techniques	Smart station polling, smart auto-channel, adaptive auto modulation, automatic transmit power control (ATPC)
Wireless security	WPA/WPA2 personal, WPA/WPA2 enterprise, WACL, user isolation
Wireless QoS	4 queues prioritization on TDMA
Network operating mode	Bridge, router IPv4, router IPv6
Network techniques	Routing with and without NAT, VLAN
WAN protocols	Static IP, DHCP client, PPPoE client
Services	DHCP server, SNMP server, NTP client, router advertisement daemon, ping watchdog
Management	HTTP(S) GUI, SSH, SNMP read, WNMS, Telnet
Tools	Site survey, link test, antenna alignment
Warranty	2 years
Regulatory Certification	CE/ROHS



## ORDERING INFORMATION

WIS-S900AC

5GHz Outdoor Long distance Base Station



\*Product specifications and availability are subject to change without notice

