



WIS-EAP530-OUTDOOR

11AX 3000Mbps Wi-Fi6 Enterprise Outdoor AP

WIS-EAP530-OUTDOOR IS a 11AX Wi-Fi standard Qualcomm Chipset high power industrial Outdoor Wireless Access Point support MU-MIMO, Wave2.0, OFDMA and Seamless Roaming. Combined 3000Mbps Wi-Fi speed over 2 radios: 2.4GHz (600Mbps 11ax 2*2) + 5GHz (2400Mbps 2*2), equipped Gabit LAN Ports, support MU-MIMO and DL/UL-OFDMA modulation, Giga Ethernet data rate and more users, then multiple users can upload or download multiple packets at same time, narrower subcarrier spacing and longer symbol time, improved the stability and data processing efficiency, publicly to be used in high density access environment such as university campus, concert venue, hotels, corporates etc.



Superior performance guarantee

WIS-EAP530-OUTDOOR with Qualcomm industrial chipset and adapt to intelligent channel analysis technology choose the less Wi-Fi interference channel makes wireless transmission faster and more stable.

ABS weather-proof case

WIS-EAP530-OUTDOOR with High Power, more Wi-Fi Range Designed in two line Power Amplifier on PCB board, build in 6dBi omni Wi-Fi antenna, outdoor Wi-Fi range up to 150+ meters. WIS-EAP530-OUTDOOR with ABS Waterproof, dust proof and sunscreen shell, avoid the damage from dust, rainy weather. Meantime, it adaptive to various environment, the maximum working temperature can be at -40° C to 55° C suit for any country.

TWT (Target Wake-up Time)

802.11ax support TWT, allowing devices to negotiate when need to wake up, send and receive data. In additional, wireless AP can group the device into different TWT cycles, increase sleep time, reduce the device competing a tier wake-up, and save the device power.

Features

- Dual band, 11ax/ac/b/g/n/a with 3000Mbps data rate.
- 11ax 2x2 MU-MIMO support.
- 1*10/100/1000Mbps Ethernet Ports.
- Allow 150+ concurrent users to access into the networking;
- With external power amplifier design, more RF power, more wireless coverage;
- Support 160MHz bandwidth, faster speed in UL and DL;
- Support Seamless roaming, TWT, OFDM...



Three ways of WIS Controller Solution

All configuration and management is centrally and effectively operated by WIS cloud Controller. Deploy wiscloud AP and scale up easily with any one of the controller.

[Hardware Controller](#) | [Cloud Controller](#) | [App Based Controller](#)

Lightning protection

The WIS-EAP530-OUTDOOR also comes with Inbuilt lightning & surge Protection This Standard Protects the Outdoor Access Point From Lightning & Over Power.

High-Speed Dual Band Wi-Fi 6

WIS-EAP530L-OUTDOOR equips with the latest wireless technology, Wi-Fi 6, for faster speeds, greater capacity, and reduced network congestion. Wi-Fi 6 (IEEE802.11ax) delivers a huge boost in speed and total capacity and takes your Wi-Fi to the next level while being backwards compatible with IEEE802.11ax/ac/b/g/n/a Wi-Fi standards, optimized for Internet activities requiring high bandwidth, such as HD videos and online gaming.

1024-QAM Modulation Mode

DL/ UL MU-MIMO 802.11ax support both downlink MU-MIMO and uplink MU-MIMO. It can communicate with multiple end users at the same time, greatly improving the user's uplink transmission rate and the system's uplink and downlink capacity, improving the efficiency of multi-user concurrent scenarios, and reducing the terminal application latency.

DL/ UL MU-MIMO

11ax supports both downlink MU-MIMO and uplink MU-MIMO. It can communicate with multiple end users at the same time, greatly improving the user's uplink transmission rate and the system's uplink and downlink capacity, improving the efficiency of multi-user concurrent scenarios, reducing the terminal application latency.

Coverage Improvement

802.11ax support long OFDM symbol transmission mechanism and 2MHz narrowband transmission, effectively reduced the packet loss rate and noise interference, improve the receive sensitivity and increase the WiFi coverage.

Watchdog design, No internet lose

The watchdog chip + circuit design make the equipment with selfinspection in network disconnection, link detection and network backup. When it found that device is disconnected, the watchdog circuit will restart the system automatically to ensure the reliability and safety.

Long wireless coverage

Transfer all kinds of data smoothly ,do not have any latency. WIS-EAP530-OUTDOOR is a high power outdoor wireless with 150+ meters wireless range ,can meet the demands for outdoor wifi project large area coverage, specialize in high power design ,can ensure strong wireless signal and stable performance.

Multiple Application Scene

WIS-EAP530-OUTDOOR Gigabit Outdoor wireless AP can be used for outdoor environment where need wireless coverage like Park,School,Mall Scenic point,university campus, concert venue,hotels,corporates etc.





SPECIFICATION

Model	WIS-EAP530-OUTDOOR
Chipset	Qualcomm
Standard	802.11ax/ac/b/g/n/a
Flash	SPI NOR 8MB SPI NAND 128MB
DDR3L	External 512MB*1
2.4G Frequency	2.4GHz ~ 2.484GHz
2.4G Wi-Fi standard	802.11b/g/n/ac /ax
5.8G Frequency	5.150GHz~5.825GHz
5.8G Wi-Fi Standard	802.11a/n/ ac /ax
Interface	1 10/100/1000/adaptive WAN port, support POE 48V power supply; 1 Console port
Antenna	2* 2.4G antennas, each gain: 6 dBi 2* 5.8G antennas, each gain: 6 dBi
Data Rate	3000Mbps (2.4G 600Mbps, 5.8G 2400Mbps)
End Users	150
2.4G RF Power	≤ 23dBm
5.8G RF Power	≤ 23dBm
DC	12V----2A
PoE	48V (IEEE 802.3at)
LED light	Sys, WAN, LAN
ESD	15 kV
Lightning Protection	6 kV
Power Consumption	≤ 20W
Size	TBD
Working Mode	Gateway & AP mode
Wireless Functions	SSID broadcast SSID quantity: 4 (2.4GHz) + 4 (5GHz) Hide SSID function Wireless encryption: OPEN , WPA/WPA2PSK-TKIPAES, WPA3PSK-TKIPAES Wireless MAC address filtering: support white list Spectrum Navigation (5G Priority) WiFi timing off function User isolation: isolation between wireless networks, internal isolation of AP Transmit power setting Wireless client limit QoS: WMM
Networking Function	Connection method: Static address, obtained from the management server, obtained from the gateway DHCP server: either a built-in DHCP server or an external DHCP server Cloud platform server firewall function PPPOE function: support PPPOE dial-up function
Device Management	Backup configuration information Restoring configuration information reset Restart includes scheduled restart and immediate restart firmware upgrade Time management including system display time and time synchronization system log Fat and thin AP switching function



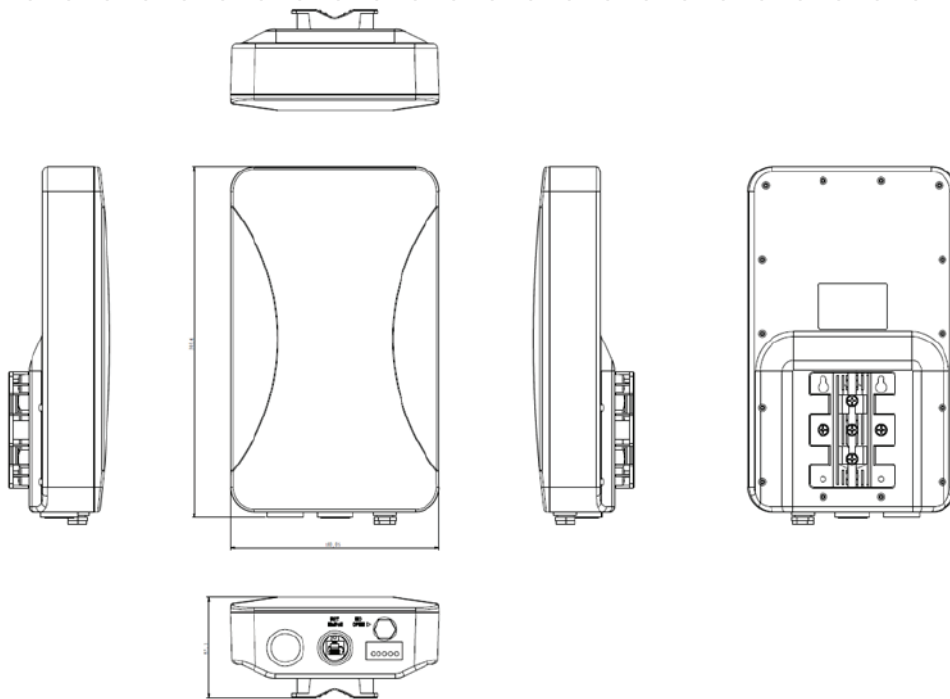
Antenna Specification

Frequency Range	2.4GHz & 5GHz
Impedance	50 Ohms nominal
Gain	6dBi
Radiation	Omni
Polarization	Vertical

Packaging Information:

- 1* WIS-EAP530-OUTDOOR
- 1* Mounting Kit
- Quick Installation Guide
- Gift Box

DIMENSIONS



ORDERING INFORMATION

WIS-EAP530-OUTDOOR

11AX 3000Mbps DUAL Band Wi-Fi6 Outdoor Access Point



*Product specifications and availability are subject to change without notice