

11AC 1200Mbps Enterprise Gigabit Ceiling Wireless AP



OVERVIEW

WIS new series EAP510E is an 11ac Wi-Fi standard Qualcomm Chipset middle power industrial Ceiling Wireless Access Point support Wave2 , combined 1200Mbps Wi-Fi speed over 2.4GHz(300Mbps) and 5GHz(900Mbps), equipped Gigabit 2*LAN port, fast Ethernet data rate make more than 150+ end users can access into WIS-EAP510E with faster Ethernet, make them to enjoy seamless HD movies, streaming, online gaming, wireless security and other band width-intensive tasks, widely be used in school, hospital, hotel, office, shipping mall.

FEATURES

- Comply with IEEE 802.11ac/b/g/n, MU-MIMO technology Wave2.0 Dual band, 1200Mbps Data Rate.
- 11ac 2x2 MU-MIMO, technology, 2*10/100/1000 Mbps meet with different customer's request.
- Support active IEEE 802.3af 48V PoE standard.
- Support SSID broadcasting, Multi SSID up to 8 (4 SSID in 2.4GHz, 4 SSID in 5GHz) .
- Support Gateway (PPPOE, static IP, dynamic IP).
- Wireless AP, Repeater, WISP operation mode in FAT AP.
- With function of build in firewall, IP filter, URL filter and MAC filter.
- RF power adjustment and frequency analyzer for better application in different environment .

FIT/FAT Operation Mode

WIS-EAP510E supports FIT/FAT operation mode;

FIT AP, work with AC controller, plug and play, central management by AC controller, mostly for enterprise application.

FAT AP, support AP, repeater, gateway, WISP operation mode, can be configured by GUI, suitable for home Use.

Multiple Protection for Stable Performance

WIS-EAP510E with ABS fireproof material, white color, suitable for various decoration styles. And PCB board with watchdog design, can reboot automatically in case of failure. What's more, it support lightning protection and ESD protection, can install in various harsh environment.

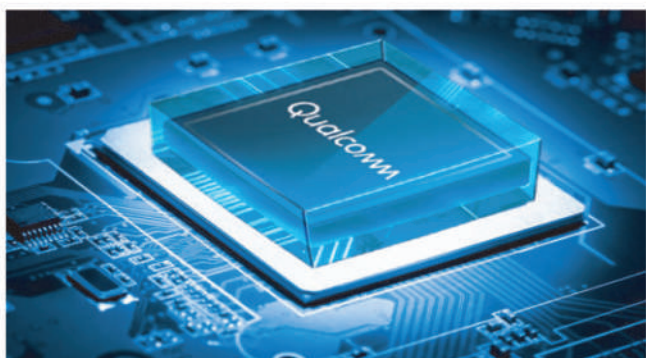
Power over Ethernet

WIS-EAP510E has integrated IEEE802.3af Power over Ethernet (PoE), for easy installation and lower cost. So it can be installed in areas where power outlets are not available, eliminating the mess of altering existing network infrastructure.

Zero Configure & Cloud Management System

Support FIT/FAT AP together, work with WIS WLAN Controller, zero configure in IP address, ESSID, Channel, Password, upgrade firmware, backup and restore.

Then the WLAN controller can access into Cloud Management System, easy to make administrator access it, to do remote monitoring/management at any time and any place, make this AP and WLAN controller more professional and save cost in Wi-Fi Projects.

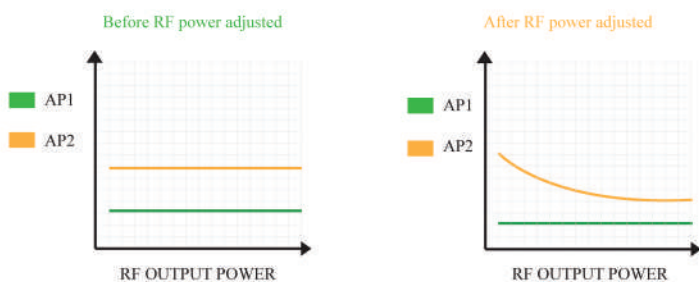


Qualcomm Enterprise Wireless Solution.

Business wifi, QUALCOMM is the leader, more stable High performance Core component are all from Famous Manufacturers.

More Wi-Fi Coverage

More Wi-Fi Coverage. PCB board adopt Skyworks POWER Amplifier and Low Noise Amplifier design improved the wireless coverage and reduced the noise interference.



Adjustable RF Power, Improve Wireless Quality

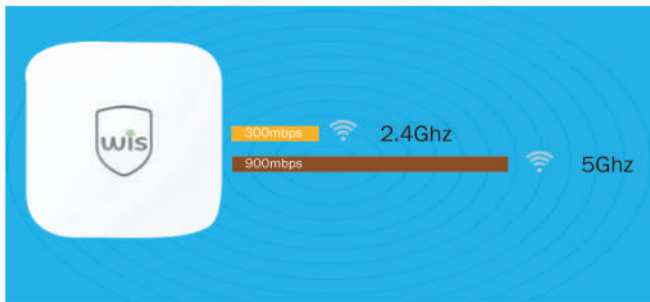
Adjustable RF Power, Improve Wireless Quality. The transmission RF power is adjustable based on environment, Cut down RF power in place with high density of people or wireless AP to reduce Wi-Fi interference, Increase RF power in large area to improve the signal strength.

Seamless Roaming, no loss in Wi-Fi loss

During Moving

When AP recognizes that the terminal user's signal is lower than the setted coverage threshold, it will automatically remove the terminal user to connect to the AP with strong signal to achieve seamless rooming.





2.4G/5G Dual Frequency Wireless data rate up to 1200Mbps

Dual Band, Less Frequency Interference, More Users, Higher Performance. 1200Mbps data rate, 150end users max, 120+ simultaneous end users tested.

Three ways of WIS Controller Solution

All configuration and management is centrally and effectively operated by the WIScloud controller.

Deploy Wiscloud AP and scale up easily with any one of the controller.

Cloud Controller | App Based Controller | Hardware Controller



Watchdog design, No internet lose

The watchdog chip + circuit design make the equipment with selfinspection in network disconnection, link detection and network backup. When it found that device is disconnected, the watchdog circuit will restart the system automatically to ensure the reliability and safety.



Watchdog



Self Inspection



Link Detection

Cable / port hidden design,integrated into all kinds of decoration

Network port hidden structure, skillfully hidden the network cable, integrated into the exist decoration, keep it clean and unified scene, the working status at a glance.



Faster dual-Ethernet ports design

1*10/1000M LAN port, support 48V active PoE(Can be used as WAN)1*10/1000M LAN port more convenient to use.



Multiple Application Scene

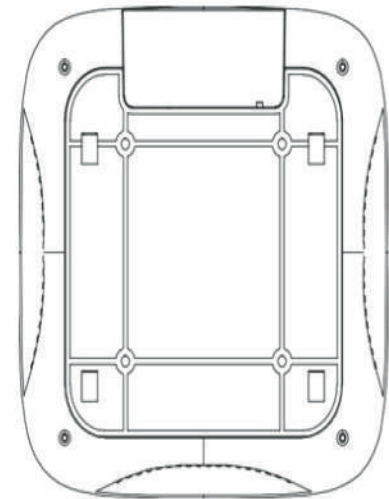
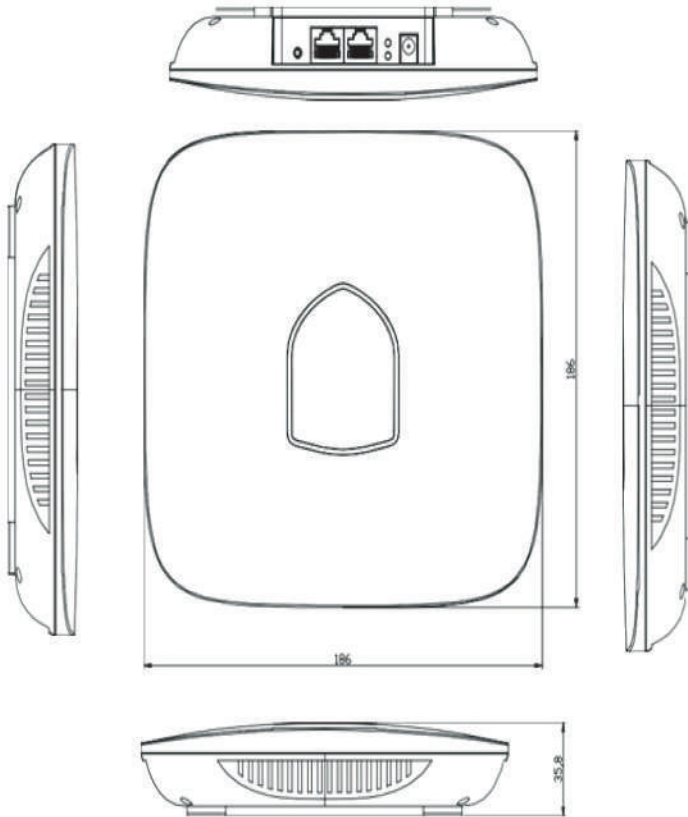
WIS-EAP-510E Gigabit ceiling mount wireless Ap can be used for indore environment where need wireless coveragelike dormitory,Family Hotel,Hospital,Office, ktv Room .

SPECIFICATION

WIS-EAP510E

Chipset	QCA9563 + QCA9886 +QCA8334
Standard	802.11ac/b/g/n, MU-MIMO technology
Flash	16MB
DDR3L	128MB
2.4G Frequency	2.4GHz- 2.484GHz
2.4G Wi-Fi standard	802.11b/g/n
5.8G Frequency	5150~5850MHz
5.8G Wi-Fi Standard	802.11 a/n/ac
Interface	1 * 10/100 /1000 RJ45 LAN Port(Can be used as WAN) 1 * 10/100 /1000 RJ45 LAN Port 1 * Reset button, press 10 seconds to revert to default setting
Antenna	Build in 4*4dBi dual band MIMO Antenna
Data Rate	1200Mbps
End Users	150+
2.4G RF Power	≤ 27dBm
5.8G RF Power	≤ 27dBm
PPM	±20ppm
DC	12V----1A
POE	48V (IEEE 802.3af)
LED light	Sys,2*LAN
Power Consumption	≤ 12W
Size	188*188*50mm
Firmware/Software	
Working Mode	Gateway, AP, Repeater, WISP
Wireless Foundation	Multiple SSID functions: 2.4GHz: 4; 5.8GHz: 4. Support SSID hidden Support seamless roaming, 802.11kvr standard. Support 5G Prior for a faster Ethernet. Wireless Security: Open, WPA, WPA2PSK_TKIPAES, WAP2_EAP, 802.1x Support MAC filter Support Wi-Fi time on/off to save energy Support client isolation to improve the wireless stability Support RF power adjustable, adjust the RF power based on environment. Support user quantity limited, Max 64 users to access each band.
Networking Function	VLAN settings Cloud access support in gateway mode
Device Management	Back-up the configuration Restore the configuration Reset to factory default Reboot the device: including time reboot or reboot immediately Admin management password modify Firmware upgrade System log Support firmware GUI web management, AC controller management, remote management and cloud management
Protocols	IPv4
Antenna	
Frequency Range	2.4GHz & 5.8GHz
Impedance	50 Ohms nominal
Gain	4dBi
Radiation	Omni
Polarization	Vertical
S-Parameters	(2.4/ 5.8G #2 VSWR)
Other	
Environment	Operating Temperature:-20~55 °C Storage Temperature:-40~70 °C Humidity: 5%~95% non-condensing; Storage Humidity: 5%~90% non-condensing
Package Contents	1200Mbps Dual Band wireless access point Mounting kit Quick Installation Guide

DIMENSIONS



ORDERING INFORMATION

WIS-EAP510E

11AC 1200Mbps Dual Band Giga Ceiling Enterprises Access Point



*Product specifications and availability are subject to change without notice

www.wisnetworks.in | sales@wisnetworks.in

