

WIS

CPE300

2.4G 300Mbps Outdoor CPE with LED Display



300 Mbps



2* RJ45 ports

Button Press
bridge1.5KM
distance

2.4GHz

Lightning
ProtectionRemote
ManagementIP 65
Protection
Level

OVERVIEW

WIS new series CPE300 is a hot sell 300Mbps outdoor CPE with LED display to configure the WDS PT/PTMP connection. It complies with IEEE 802.11b/g/n standard, with 11dBi dual polarized high gain antenna, the PTP/PTMP distance is upto 1.5 Km It support Wireless AP, Wireless Bridge operation mode for PTP/PTMP connections., save much human work and cost, make the long range wireless coverage, data transmit and wireless monitoring simple and professional.

FEATURES

- Comply with IEEE 802.11b/g/n standard.
- 11dBi Dual Polarized high gain antenna.
- 2*10/100 Mbps Ethernet LAN Ports.
- Supports 24V passive PoE and 4KV lightning protection, ideal for outdoor use.
- IP 65 water-proof, suit for multiple harsh environment (-40°C-70°C)
- Support Wireless AP, Wireless Bridge operation mode for PTP/PTMP.
- Independent hardware protection circuit design, automatically recover abnormal CPE.
- Support watchdog self-detection function, reboot and recover device automatically

Multiple Protection for Stable Performance

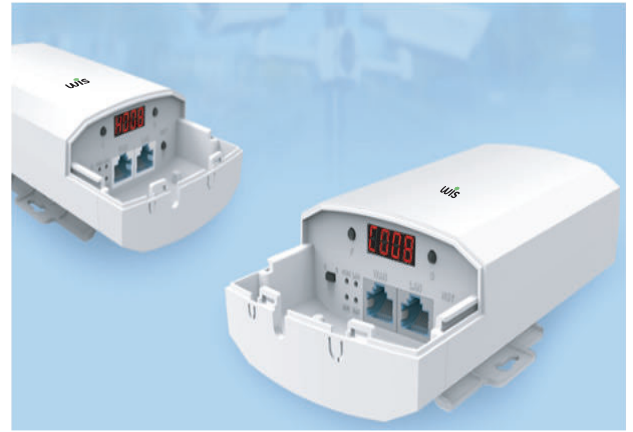
WIS-CPE300 with ABS fireproof material, white color, suitable for various decoration styles. And PCB board with watchdog design, can reboot automatically in case of failure.

Patent QSDK firmware, independent core algorithm

HiMAX private protocol, effectively avoid Wi-Fi interference.

Solution for Indoor/ Outdoor Video Data Transmission.

It support Wireless AP, Wireless Bridge operation mode for PTP/PTMP connections, with LED display, easy to setup CPE300 operation mode, IP address, Channel by Function/Selection switch together with LED display, no need to access into GUI, avoid the complex setup program, and simple to view the connection status and signal strength by LED display.

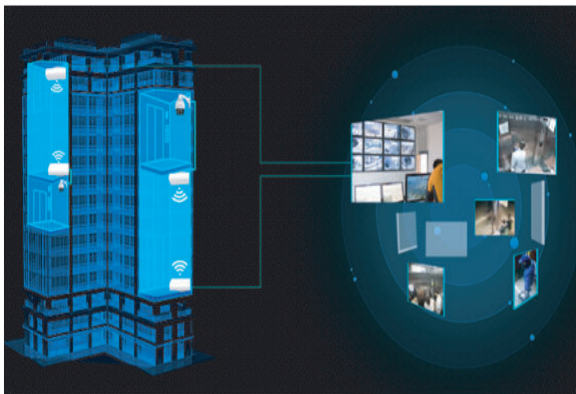
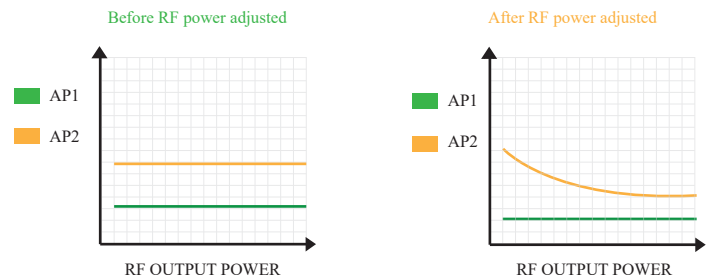


Professional outdoor shell suit for multiple harsh environment

Adopt outdoor ABS Plastic shell, simple and elegant! Support professional lightning protection, IP 65 water-proof, suit for multiple harsh environment (-40°C-70°C), also can work stable.

Adjustable RF Power, Improve Wireless Quality

Adjustable RF Power, Improve Wireless Quality. The transmission RF power is adjustable based on environment, Cut down RF power in place with high density of people or wireless AP to reduce Wi-Fi interference Increase RF power in large area to improve the signal strength.



Elevator monitoring application scenarios

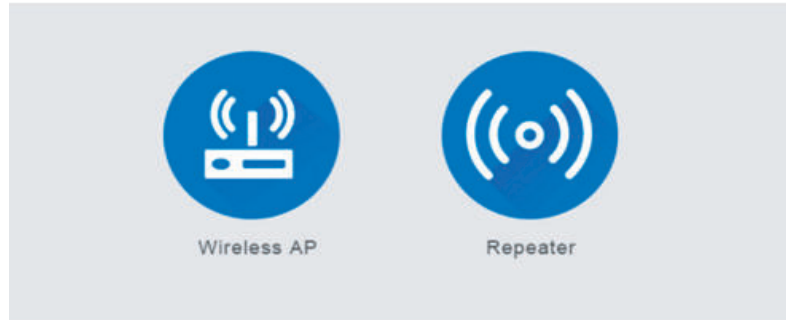
2.4GHz frequency, 300Mbps high speed, effectively ensure clear and smooth monitoring picture.



Designed for indoor wireless transmission
 distance up to 1500 meters. Receive distance up to 1500 meter, easy to transmit 4K video.

AP Bridge Operation mode ,More stable

Support AP and Bridge operation mode simple to build the PTP/PTMP connection meet with multiple Wi-fi transmission scheme demands.



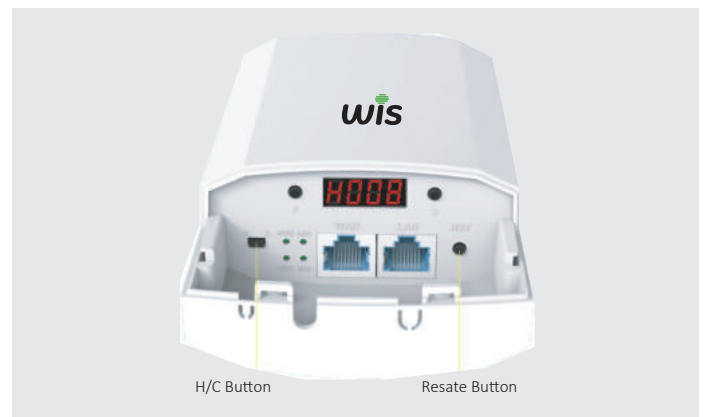
Watchdog design, No internet lose

independent hardware protection circuit design,automatically recover abnormal CPE Build in watchdog protection circuit,will automatically reboot when CPE work abnormal,ensure stable signal transmission.



LED Display and Button Press to Bridge

With visible LED display to show host/ client mode/ signal strength/ IP address, then with H/ C button, press it to change the host/ client mode for quickly point to point and point to multi-point wireless connection, simple to install and cost saving.



Multiple Application Scene



- PTP/PTMP Wireless Transmission
- Elevator Monitoring Wireless Transmission
- Enterprise WLAN Transmission
- Long distance Wireless Transmission

Designed for indoor wireless transmission

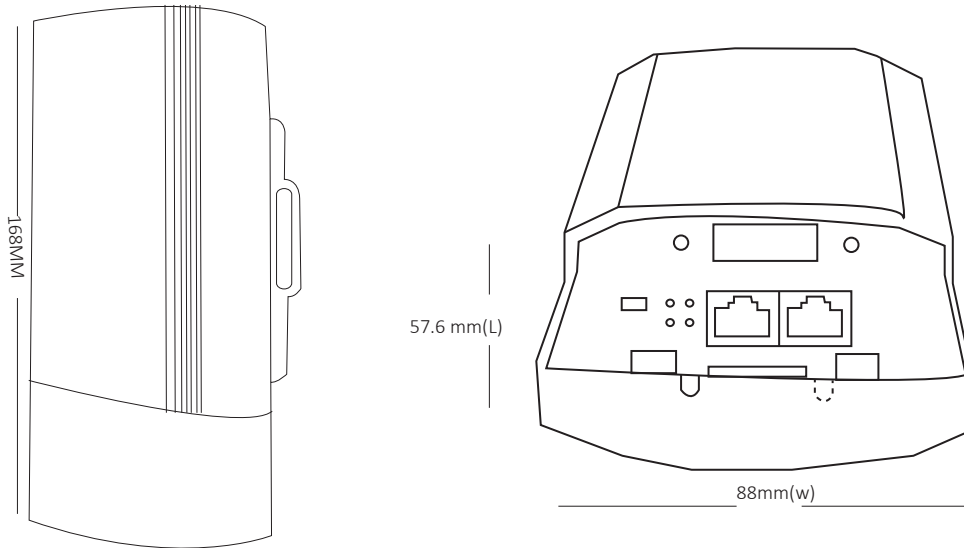
it support cloud remote management, administrator can monitor the working status, upgrade firmware, reboot, timed reboot device through cloud server, recover and maintain device at any time and any location, operator level outdoor PTP/PTMP connection equipment.



SPECIFICATION

WIS-CPE300	
Standard	802.11b/g/n
Flash	8MB
DDR3L	64MB
2.4G Frequency	2.4GHz- 2.484GHz
Interface	1 * 10/100 RJ45 LAN Port(Can be used WAN) 1 * 10/100 RJ45 LAN Port 1 * Reset Button 1 * S/ M Switch 2 * Function Buttons
Antenna	Built-in 11 dBi directional antenna
Data Rate	300Mbps
End Users	50+
2.4G RF Power	≤ 20dBm
PPM	±20ppm
PoE	24V Passive POE
LED light	Sys,2*LAN
Power Consumption	≤ 5W
Antenna Specification	
Frequency Range	2.4GHz
Impedance	50 Ohms nominal
Gain	11dBi
Radiation	Directional
Polarization	Vertical
Connector	TIN
Others	
Environment	Operating Temperature:-30~55° C Limit working temperature:-40~70° C Storage Temperature:-40~70° C Humidity: 5%~95% non-condensing
Size	168*88*57.6MM
Weight	0.5KG
Package Contents	
	300Mbps Wireless Outdoor CPE Mounting Material,24V PoE Quick Installation Guide

DIMENSIONS



ORDERING INFORMATION

WIS-CPE300

300Mbps Wireless Outdoor CPE



*Product specifications and availability are subject to change without notice

www.wisnetworks.in | sales@wisnetworks.in